

Mini installation beacon / Flashing Light 802  
**Flashing Beacon EM 24VDC YE**



Part No.: 802.300.55



| MECHANICAL DATA              |                             |
|------------------------------|-----------------------------|
| Height                       | 85 mm                       |
| Diameter                     | 57 mm                       |
| Materials                    | PC<br>PC/ABS                |
| Dome colour                  | Yellow                      |
| Housing colour               | Black                       |
| Protection category          | IP65                        |
| Connection                   | Screw terminals             |
| cross-sectional area maximum | 1,50mm <sup>2</sup> / 16AWG |
| Cable entry                  | Through hole                |
| Cable entry maximum          | d = 9 mm                    |
| Tension relief               | Present (conforms to VDE)   |
| Type of fixing               | Built-in mounting           |
| Working temperature minimum  | -20°C                       |
| Working temperature maximum  | +50°C                       |
| Weight with packaging        | 95 g                        |
| Product weight               | 77 g                        |

| ELECTRICAL DATA             |                                |
|-----------------------------|--------------------------------|
| Operating voltage           | 24V                            |
| Operating voltage type      | DC                             |
| Operating voltage tolerance | +/- 10%                        |
| Rated operational voltage   | 24 VDC                         |
| Rated operational current   | 100 mA                         |
| Rated inrush current        | 500 mA                         |
| Protection class            | Protection class 2             |
| Pollution degree            | 3<br>In the connection area: 2 |

| OPTICAL DATA         |                           |
|----------------------|---------------------------|
| Light source         | Xenon                     |
| Light colour         | Yellow                    |
| Optical signal image | Flash                     |
| Flash frequency      | 0.75 Hz                   |
| Flash output         | 1 J                       |
| Service life optical | 4 million flashes minimum |

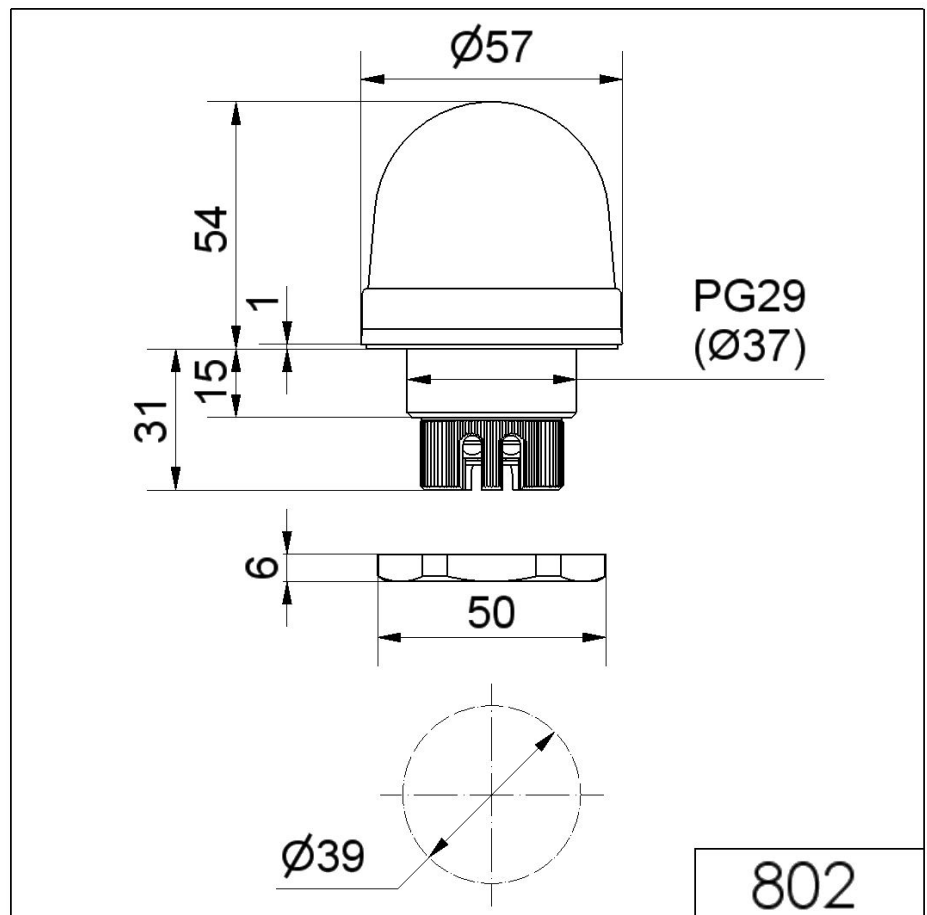
| APPROVAL DATA    |     |
|------------------|-----|
| Conforms with CE | Yes |
| WEEE             | Yes |

! For additional installation and mounting information, refer to the appropriate user guide at [www.werma.com](http://www.werma.com). This printed copy is for information only and is subject to alteration.

Mini installation beacon / Flashing Light 802  
**Flashing Beacon EM 24VDC YE**

|                              |         |
|------------------------------|---------|
| Conforms with ATEX-directive | No      |
| Conforms with CCC            | No      |
| Conforms with UL             | cULus   |
| UL Type Rating               | Type 12 |
| Conforms with FCC            | No      |
| Conforms with IC             | No      |
| EAC certificate available    | Yes     |
| Conforms with AS-I           | No      |
| ICAO Certification           | No      |
| Conforms with DNV            | No      |
| Conforms with RoHS CN        | No      |
| Conforms with VdS            | No      |

**DRAWING**



For additional installation and mounting information, refer to the appropriate user guide at [www.werma.com](http://www.werma.com). This printed copy is for information only and is subject to alteration.